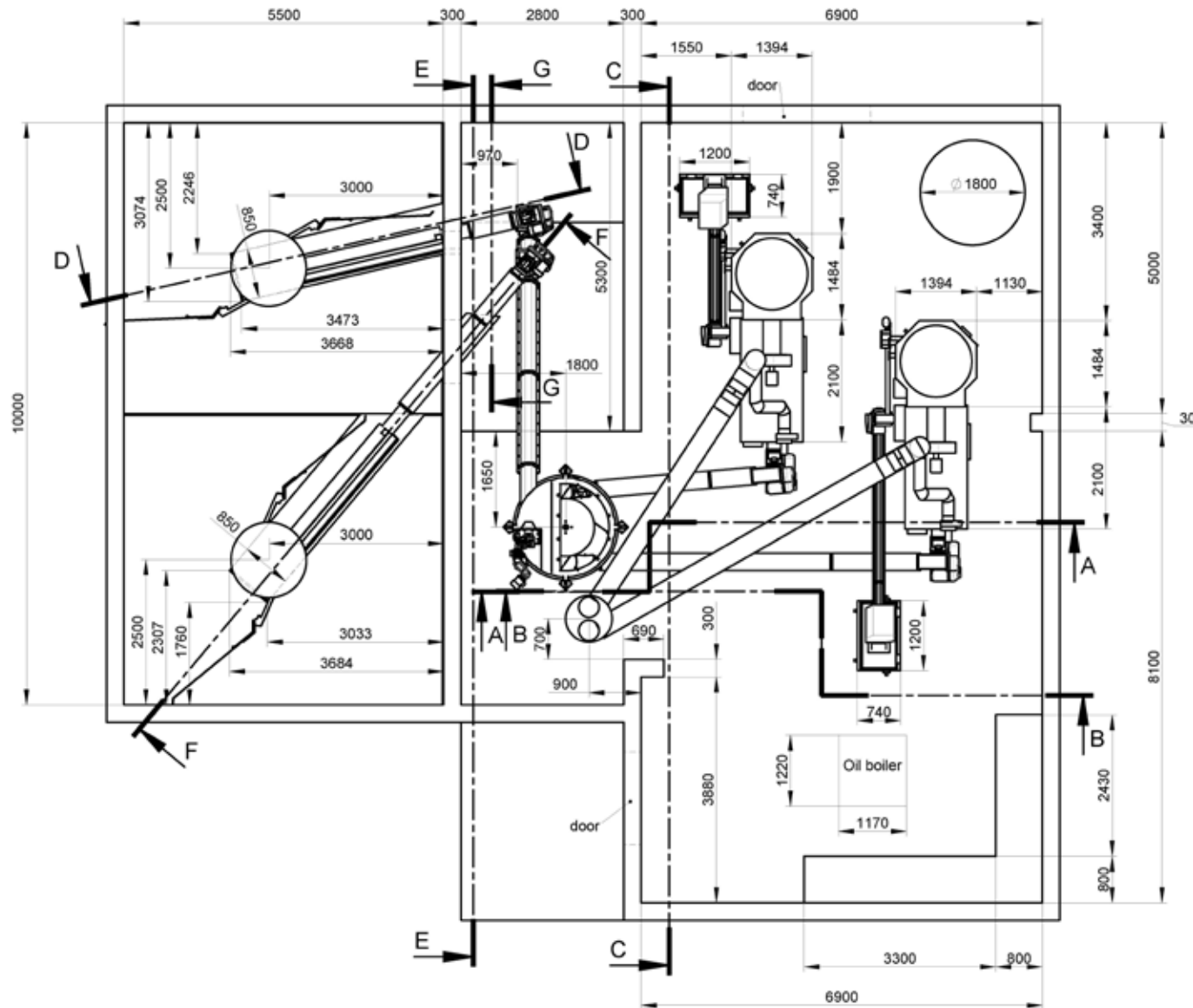


This setup is not suitable for pellets!



door opening  
min. 1600mm x 2700mm

room height required  
for Hack 500= min. 4m

Control for Hack-double discharge  
part No. 19180 is required!

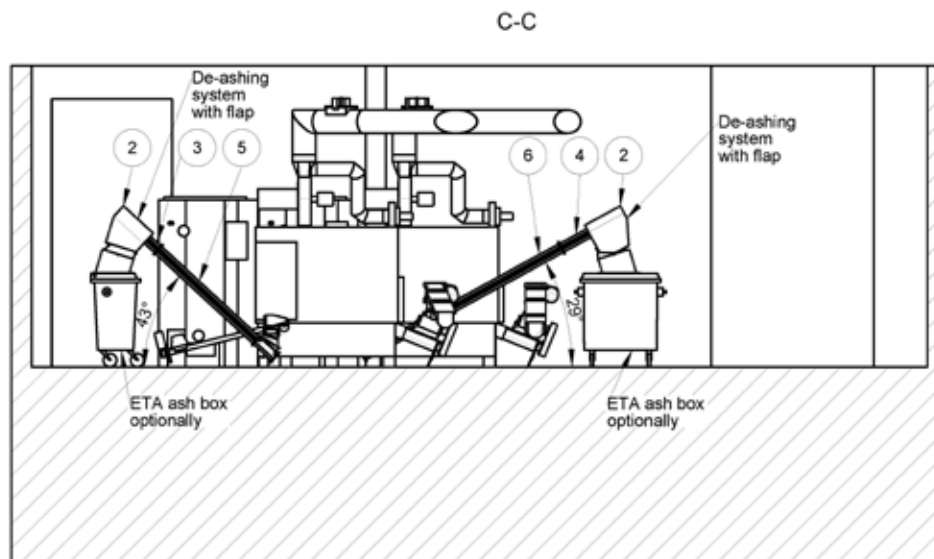
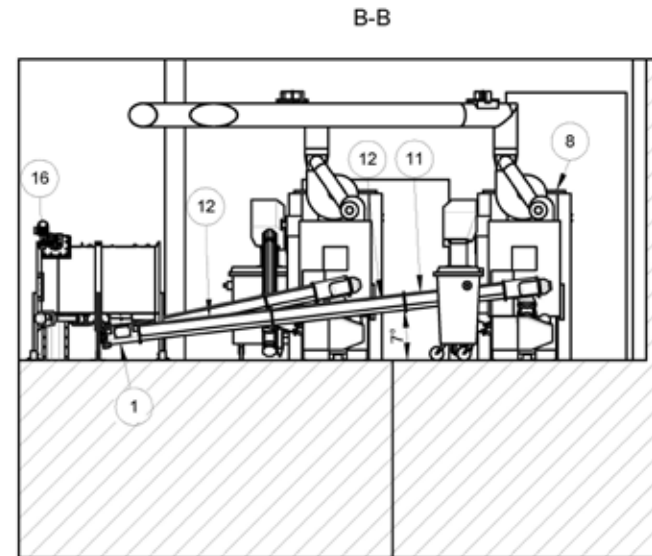
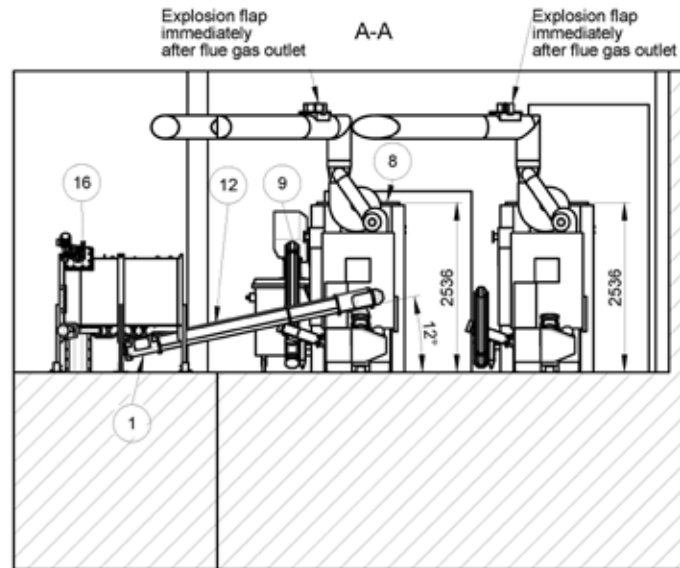
Bei Bestellung Rücksprache mit technischem Verkauf!

Proper ventilation of the storage room must be provided!

Please send this drawing  
together with the order  
to our order department  
Fax: 0043 7734 22 88 22

<b>Planning proposal</b>		Distributor / Agent: <b>ETA Norge</b>
Plumber:		Operator / Project:
 Gewerbepark 1 A-4716 Hofkirchen This planning proposal is without obligation! Instructions must be followed!		<b>Kvisle Utviklingspark AS</b>
		Hofvegen 491 2266 Arneberg
Approved: Ivan	Drawing Nr.: <b>P005140</b>	
Date: 11.01.2016	Revision Nr.: <b>08</b>	Scale: 1:80 Sheet 1/6 A3Q
Path: EPDM\Planungen\2015\NO\20150813-Kvisle_Utviklingspark\P005140.SLDDRW		

This setup is not suitable for pellets!



Control for Hack-double discharge part No. 19180 is required!

Bei Bestellung Rücksprache mit technischem Verkauf!

16	1	Verteilbehälter kpl.	z071601
15	1	Steilförderschnecke kpl.	z071553
14	1	Blinddeckel f. Abgang geschw.	z071551
13	2	Bodenrührwerk D=6,0m ab 500 kW mit Doppelknickarm	17043-80
12	4	Trogschnecken-Verlängerung lg=2000mm f.Hackgutaustragung ab 500kW	17030-2000
11	1	Trogschnecken-Verlängerung lg=1500mm f.Hackgutaustragung ab 500kW	17030-1500
10	1	Trogschnecken-Verlängerung lg=1000mm f.Hackgutaustragung ab 500kW	17030-1000
9	2	Trogschnecken-Verlängerung lg=750mm f.Hackgutaustragung ab 500kW	17030-0750
8	1	ETA HACK 500kw, Vorschubrost	13500
7	2	Schnecke für Verlängerungskanal Ascheaustragung	13019-XXXX
6	1	Verlängerungskanal Ascheaustragung lg=3000mm	13018-3000
5	1	Verlängerungskanal Ascheaustragung lg=2000mm	13018-2000
4	1	Verlängerungskanal Ascheaustragung lg=500mm	13018-0500
3	1	Verlängerungskanal Ascheaustragung lg=250mm	13018-0250
2	2	Grundset Ascheaustragung in Tonne für HACK 350 kW (Tonne bauseits)	13017-350
1	2	Schwenksystem kpl.	044-6040
Pos	Stk	Benennung	Art. Nr.

**Planning proposal**

Distributor / Agent: **ETA Norge**  
Plumber:

Operator / Project:



Gewerbepark 1  
A-4716 Hofkirchen

**Kvisle Utviklingspark AS**

Hofvegen 491  
2266 Arneberg

This planning proposal is without obligation! Instructions must be followed!

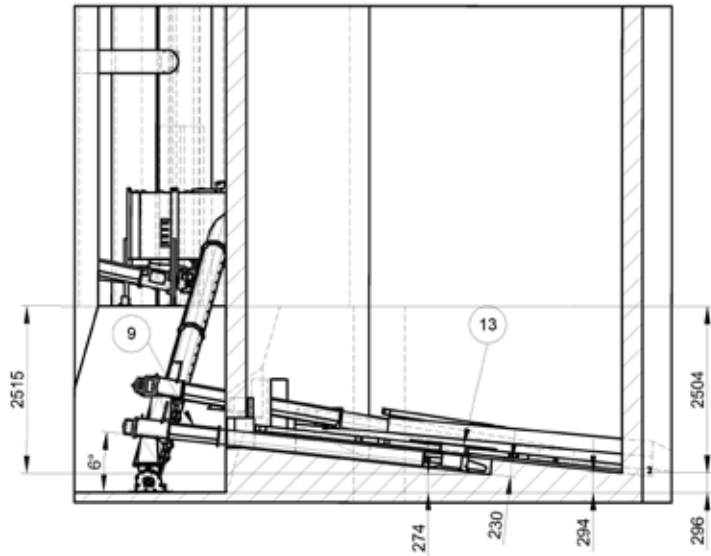
Approved	Ivan	Drawing Nr.:	<b>P005140</b>
Date	11.01.2016	Revision Nr.:	<b>08</b>
Path: EPDM\Planungen\2015\NO\20150813-Kvisle_Utviklingspark\P005140.SLDDRW		Scale:	1:80 Sheet 2/6 A3Q

Please send this drawing together with the order to our order department  
Fax: 0043 7734 22 88 22

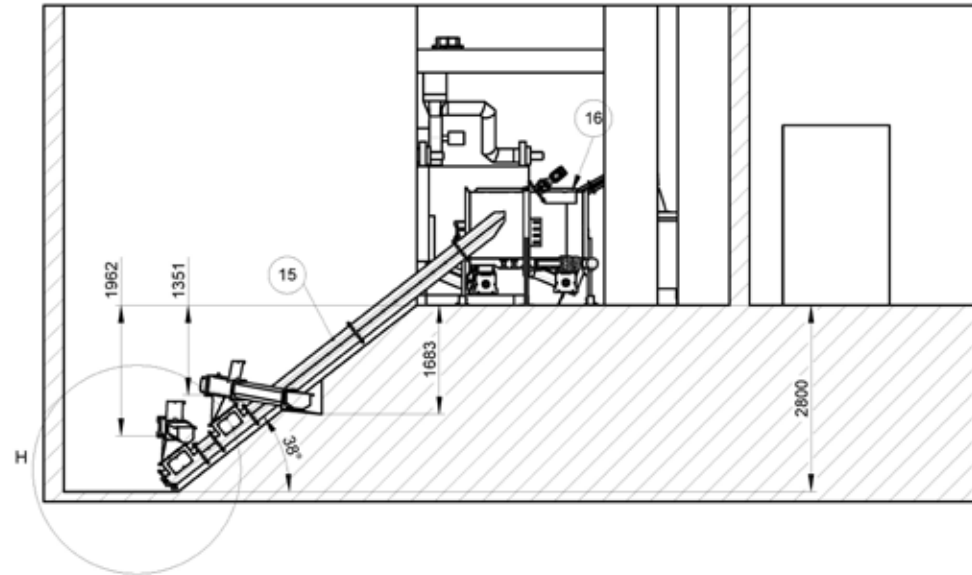
Proper ventilation of the storage room must be provided!

This setup is not suitable for pellets!

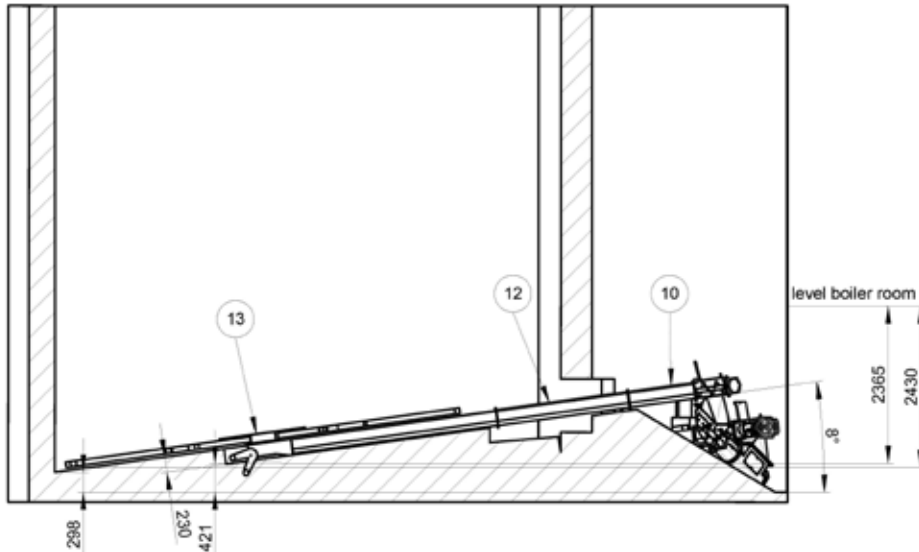
D-D



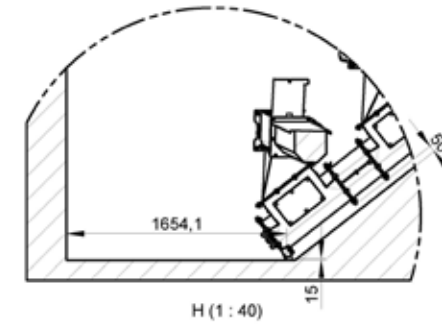
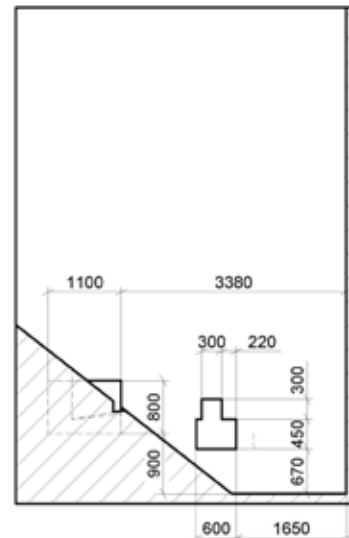
E-E



F-F



G-G



Control for Hack-double discharge part No. 19180 is required!

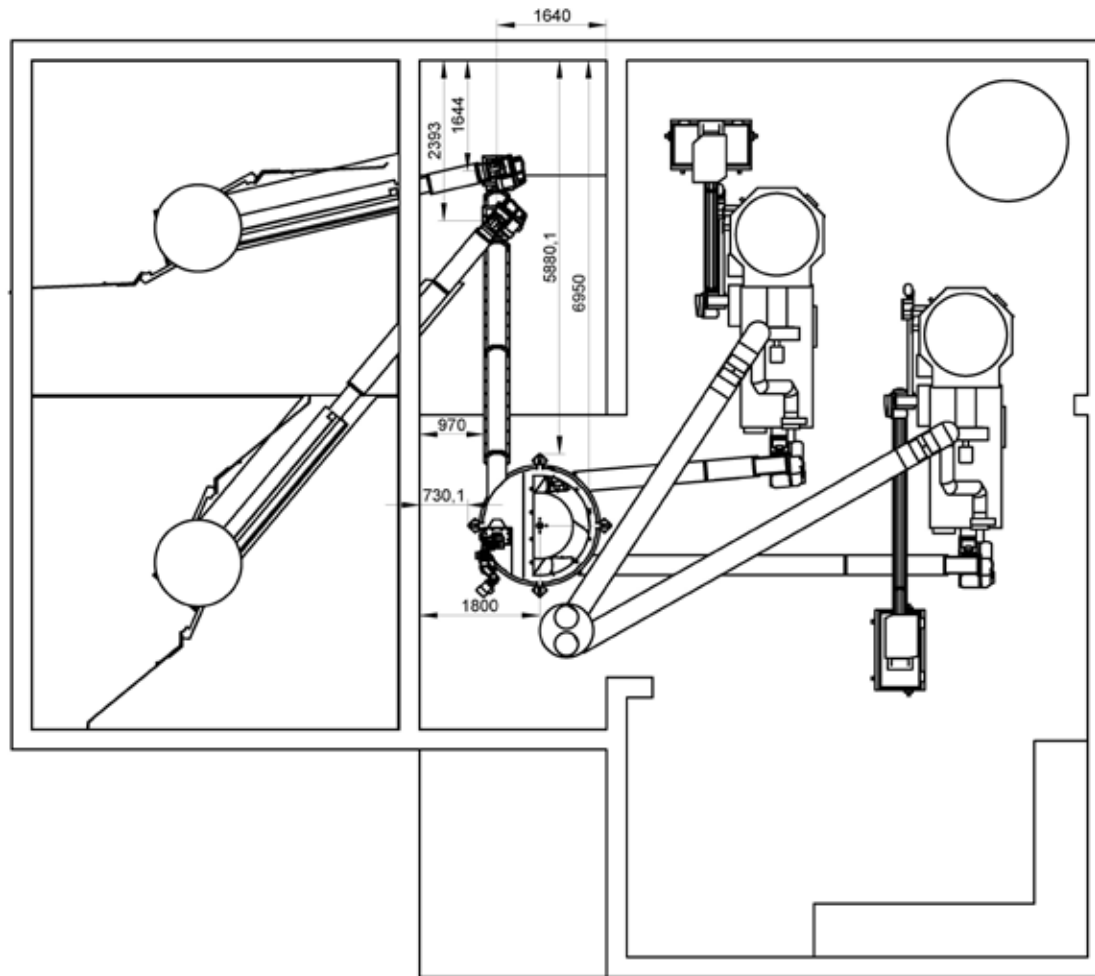
Bei Bestellung Rücksprache mit technischem Verkauf!

<b>Planning proposal</b>  Gewerbecamp 1 A-4716 Hofkirchen This planning proposal is without obligation! Instructions must be followed!	Distributor / Agent: <b>ETA Norge</b>	Operator / Project:
	Plumber:	<b>Kvisle Utviklingspark AS</b>
Approved: Ivan	Drawing Nr.: <b>P005140</b>	Hofvegen 491
Date: 11.01.2016	Revision Nr.: <b>08</b>	2266 Årneberg
Path: EPDM\Planungen\2015\NO\20150813-Kvisle_Utviklingspark\P005140.SLDDRW	Scale: 1:80	Sheet 3/6 A3Q

Please send this drawing together with the order to our order department  
 Fax: 0043 7734 22 88 22

Proper ventilation of the storage room must be provided!

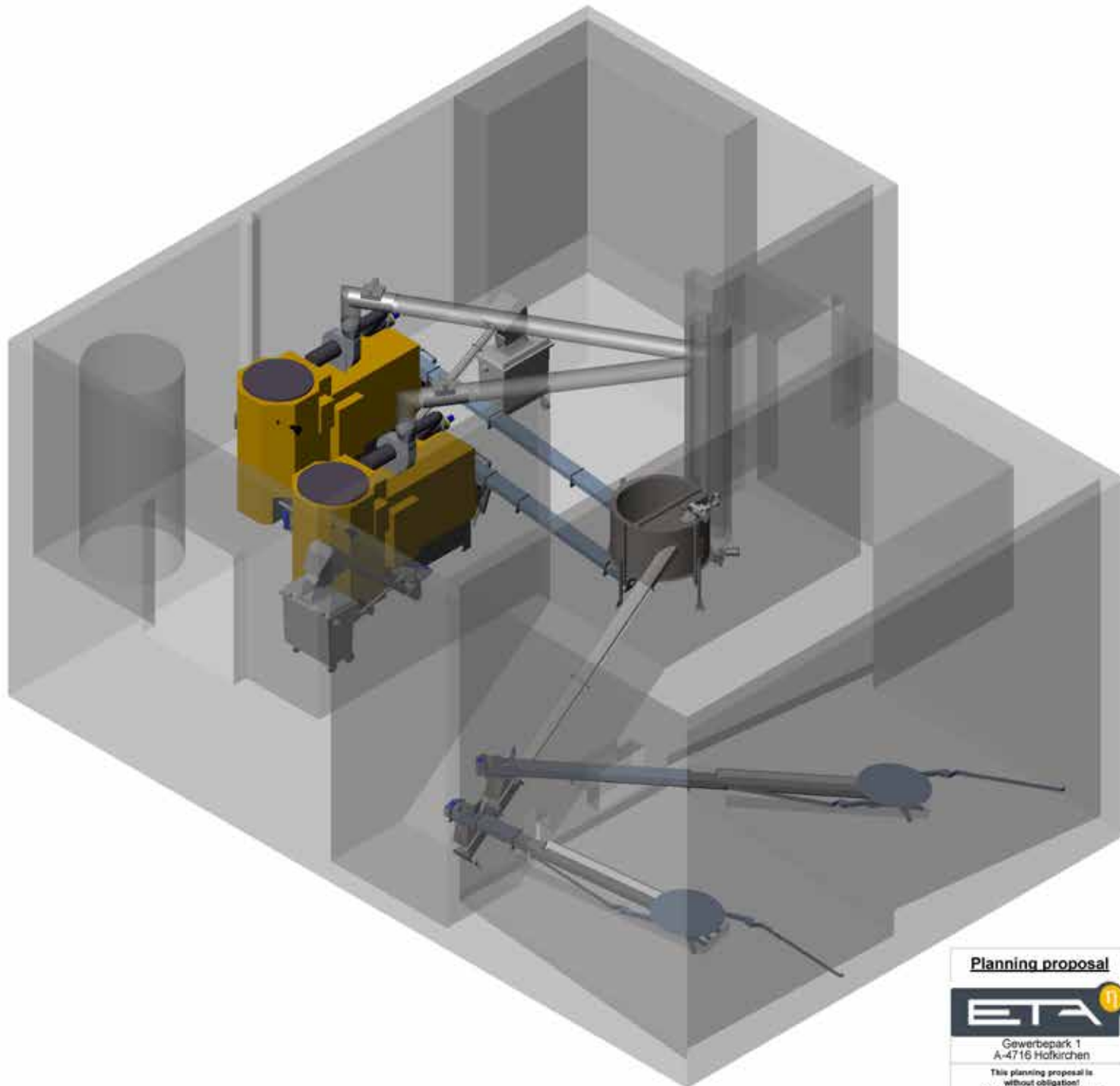
This setup is not suitable for pellets!



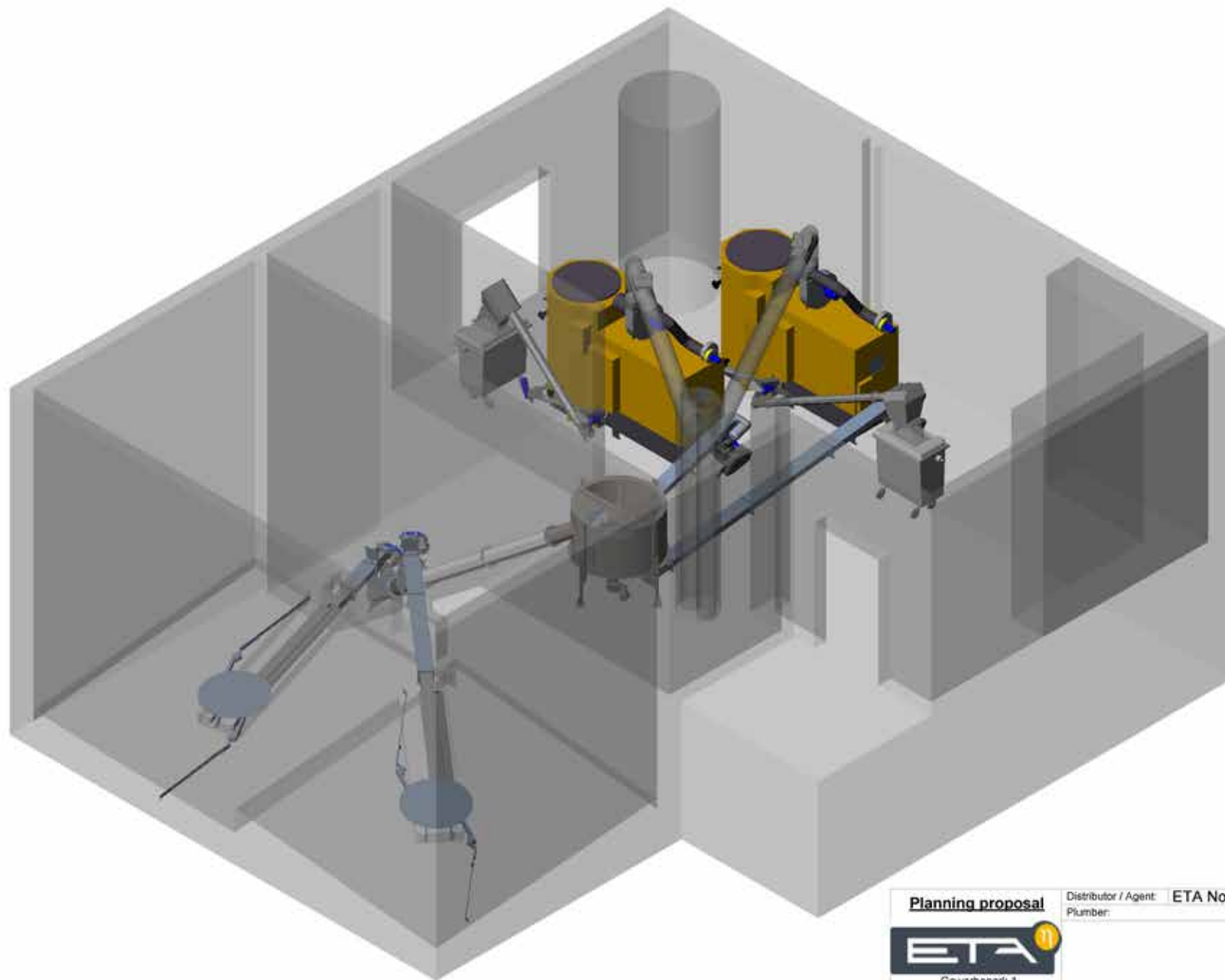
Proper ventilation of the storage room must be provided!

Please send this drawing together with the order to our order department  
Fax: 0043 7734 22 88 22

<b>Planning proposal</b>	Distributor / Agent: <b>ETA Norge</b>	Operator / Project:
	Plumber:	<b>Kvisle Utviklingspark AS</b>
Gewerbepark 1 A-4716 Hofkirchen		<b>Hofvegen 491 2266 Årneberg</b>
This planning proposal is without obligation! Instructions must be followed!		
Approved: Ivan	Drawing Nr.: <b>P005140</b>	
Date: 11.01.2016	Revision Nr.: <b>08</b>	Scale: 1:80 Sheet 4/6 A3Q
Path: EPDM\Planungen\2015\NO\20150813-Kvisle_Utviklingspark\P005140.SLDDRW		



<b>Planning proposal</b>		Distributor / Agent: <b>ETA Norge</b>	Operator / Project:
 <p>Gewerbepark 1 A-4716 Hofkirchen</p> <p><small>This planning proposal is without obligation! Instructions must be followed!</small></p>		Plumber:	<b>Kvisle Utviklingspark AS</b>
Approved: Ivan	Drawing Nr.: <b>P005140</b>	Hofvegen 491 2266 Årneberg	
Date: 11.01.2016	Revision Nr.: <b>08</b>	Scale: 1:80	Sheet 5/6 A3Q
Path: EPDM\Planungen\2015\NO\20150813-Kvisle_Utviklingspark\P005140.SLDDRW			



<b>Planning proposal</b>		Distributor / Agent: <b>ETA Norge</b>	Operator / Project:
 <p>Gewerbepark 1 A-4716 Hofkirchen</p> <p><small>This planning proposal is without obligation! Instructions must be followed!</small></p>			<b>Kvisle Utviklingspark AS</b>
Approved: Ivan	Drawing Nr: <b>P005140</b>		<b>Hofvegen 491</b> <b>2266 Årneberg</b>
Date: 11.01.2016	Revision Nr: <b>08</b>	Scale: 1:80	Sheet 6/6 <b>A3Q</b>
Path: EPDM\Planungent\2015\NO\20150813-Kvisle_Utviklingspark\P005140.SLDDRW			